

primus

laundry equipment

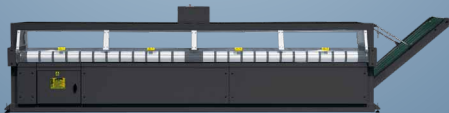
Xtreme
in innovation

Industrial Cylinder Heated Drying Ironers

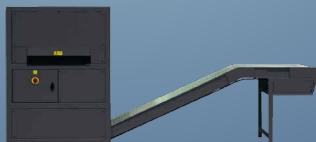
I 80, IR 80, IF 80, IFF 80



CROSSFOLDER



STACKER



FEATURES

- Large surface contact with linen
- Finger protection and emergency button for more safety
- Automatic cooldown
- MCX- Easy to operate microprocessor
- Overdimensioned fan for flexible installation
- Indication of ironing speed and temperature
- Reverse mode possible
- Frequency controlled motor
- Space saving installation against the wall is possible: front return
- Electric, gas or steam heating
- OCS – Overheating check system
- IR80 – Frontal and rear output
- IF80 – module R with length folding
- IFF 80 – ironer with feeding and length folding

OPTIONS

- Stop pedal
- Vacuum table
- CS – cross folder and stacker



ROBUST DESIGN



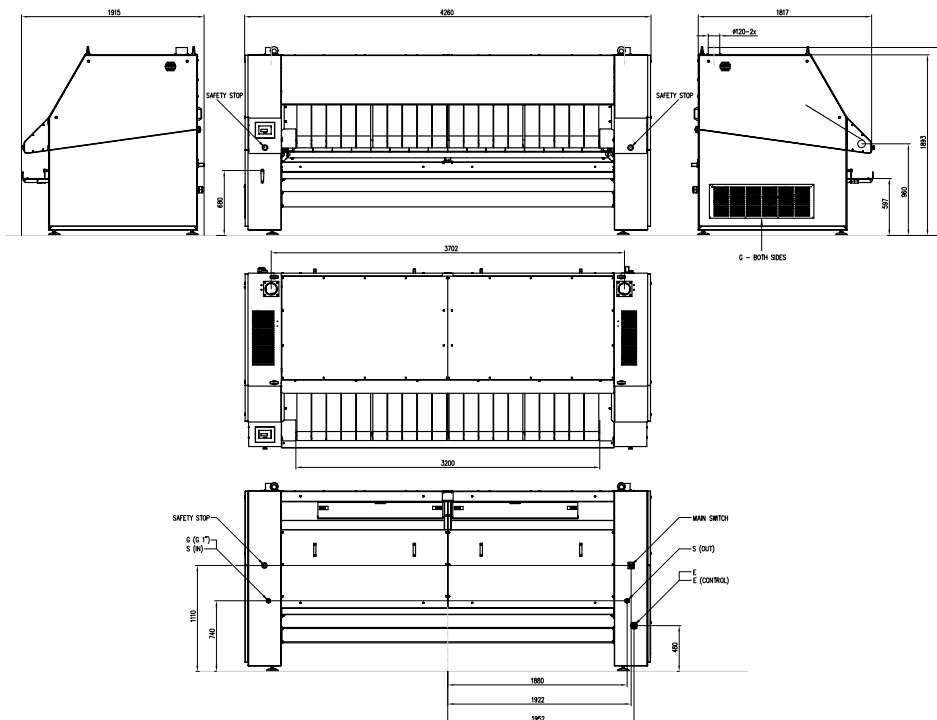
HIGH OUTPUT



MODULAR SYSTEM

| TYPE | | I80 | | | IR80 | | | IF80 | | | IFF80 | | |
|-------------------------------|----------------------|---------------------------------------------------------------------------------------------------|------|------|----------------|------|------|-----------------------------------|------|------|-----------------------------------|------|------|
| | | E | G | S | E | G | S | E | G | S | E | G | S |
| ROLLER DIAMETER | mm | 800 | | | 800 | | | 800 | | | 800 | | |
| USEFUL ROLLER LENGHT | mm | 3186 | | | 3186 | | | 3186 | | | 3186 | | |
| POWER | | | | | | | | | | | | | |
| Heating | kW (E,G) kg/h (S) | 75 | 103* | 190 | 75 | 103* | 190 | 75 | 103* | 190 | 75 | 103* | 190 |
| Roller motor | kW | 0,9 | | | 1,15 | | | 1,25 | | | 2 | | |
| Fan motor | kW (50/60Hz) | 2x0,55/0,75 | | | 2x0,55/0,75 | | | 2x0,55/0,75 | | | 2x0,55/0,75 | | |
| IRONING CAPACITY** | kg | 195 | | | 195 | | | 195 | | | 195 | | |
| ROLLER SPEED | m/s | 3-15 | | | 3-15 | | | 3-15 (3-8 with lenght folding) | | | 3-15 (3-8 with lenght folding) | | |
| FAN CAPACITY | m3/h | 2x1300 | | | 2x1300 | | | 2x1300 | | | 2x1300 | | |
| ELECTRIC CONNECTION | | 380-415V 3AC+N 50/60 Hz 208-240V 3AC 50/60 Hz 380-415V 3AC-N 50/60 Hz 440-480V 3AC 60 Hz | | | | | | | | | | | |
| DIMENSIONS (HxWxD) | mm | 1985x4260x1915 | | | 1985x4260x1915 | | | 1985x4260x1915 | | | 1985x4260x2010 | | |
| PACKING DIMENSIONS (HxWxD) | mm | 2080x4380x2080 | | | 2080x4380x2080 | | | 2080x4380x2080 | | | 2080x4380x2080 | | |
| Weight netto | kg | 2610 | 2480 | 2900 | 2860 | 2730 | 3150 | 2970 | 2840 | 3260 | 3170 | 3040 | 3460 |
| Weight brutto | kg | 2870 | 2740 | 3160 | 3120 | 2990 | 3410 | 3230 | 3100 | 3520 | 3430 | 3300 | 3720 |
| * G20, 20 mbar | | | | | | | | | | | | | |
| ** According to ISO 9398-1 | | | | | | | | | | | | | |

Standard version



The company Primus preserves the right to change the machines and the specification in this leaflet at any time, without prior notice. Details and photographs are only for information and never binding.

www.primuslaundry.com

